



Conta-Pack Pty Ltd

A.B.N 16 126 440 837

PO Box 3075, Clontarf Qld 4019

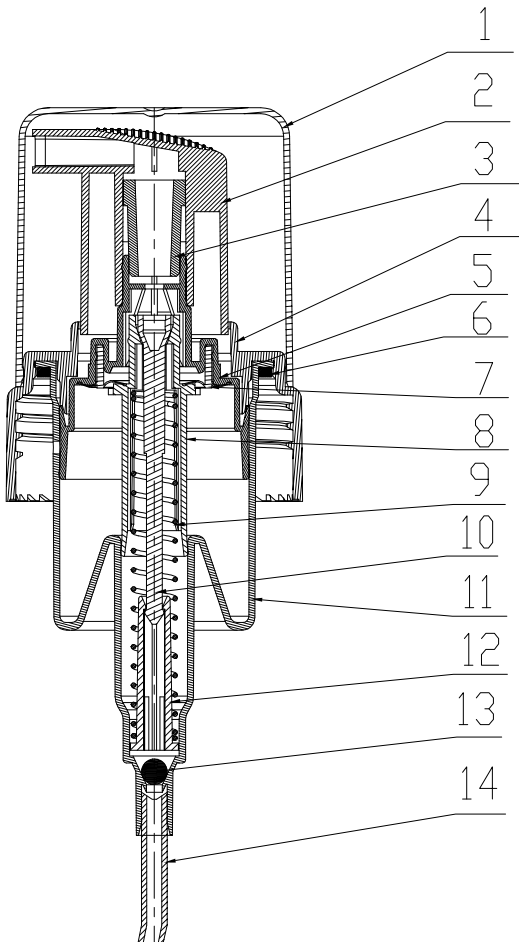
1/39 Grice Street, Clontarf Qld 4019

Phone: (07) 3333 2281

Fax: (07) 3889 3624

Specification Sheet

Product Name	43mm Foamer Pump
Product Code	C43?-F-PT <small>see std colours below for colour code</small>
Material	Various
Bottle Weight	NA
Bottle Height	NA
Bottle Diameter	NA
Bottle Brim Full	NA
Neck/Closure Specification	43mm Foamer Neck
Standard Colours	Clear (N), White (W), Black (B)
Min qty for non-std colour	5,000 Foamer Pumps
Carton / Pallet Quantity	250/ 8,000
Specification Date	21st November 2013



14	Dip tube	HDPE
13	Ball	PMMA
12	Spring Seat	PP
11	Housing	PP
10	Stem insert	PP
9	Spring	1Cr18Ni9Ti
8	Down Piston	HDPE
7	Piece	LDPE
6	Gasket	PE
5	Up Piston	HDPE
4	Closure	PP
3	Insert	PP
2	Actuator	PP
1	Cap	PP
No	Name	Material