



Conta-Pack Pty Ltd

A.B.N 16 126 440 837

PO Box 3075, Clontarf Qld 4019

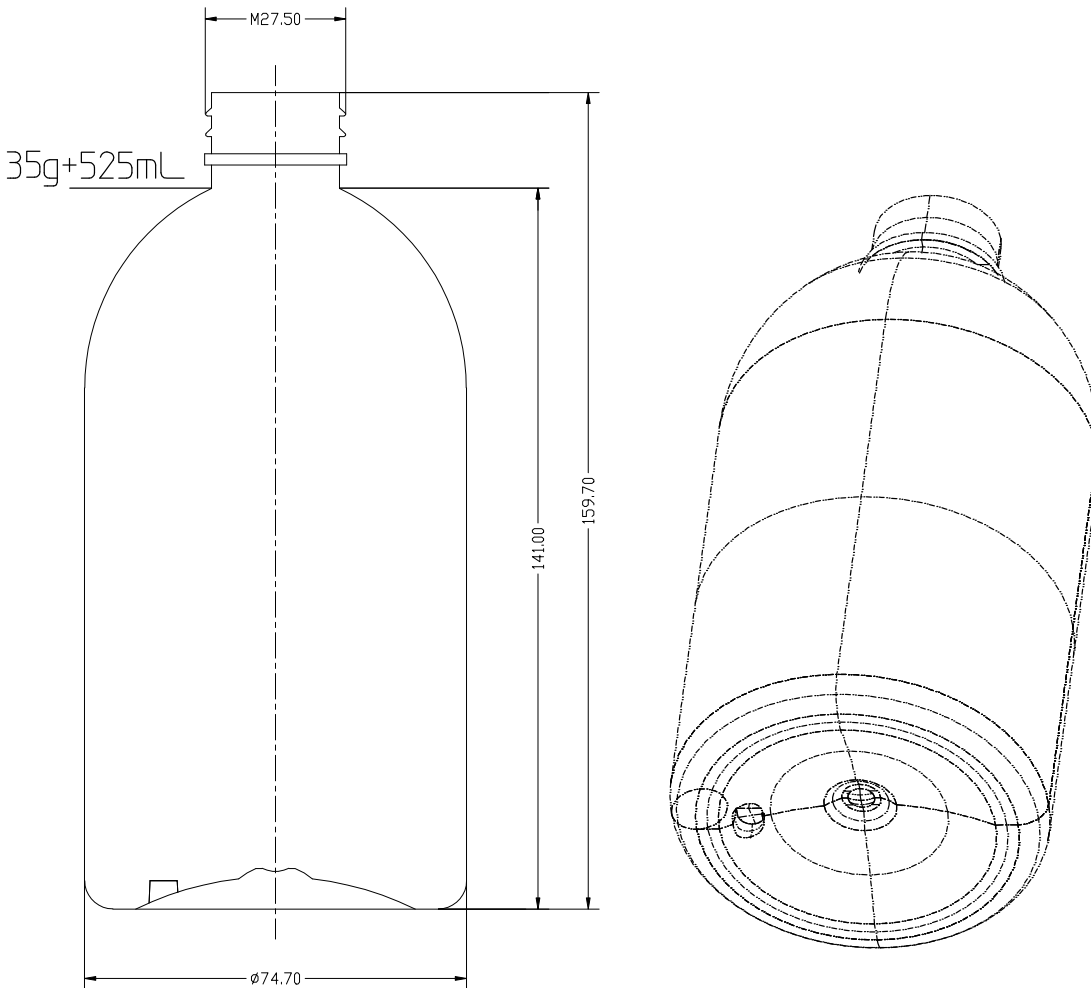
1/39 Grice Street, Clontarf Qld 4019

Phone: (07) 3333 2281

Fax: (07) 3889 3624

Specification Sheet

Product Name	500ml Squat Boston
Product Code	E.500(?) -SB-PT <small>see std colours below for colour code</small>
Material	PET
Bottle Weight	32gm \pm 2gm
Bottle Height	160mm \pm 2mm
Bottle Diameter	\varnothing 75mm \pm 2mm
Bottle Brim Full	545ml \pm 5ml
Neck/Closure Specification	28mm x 410 (28410)
Standard Colours	Clear (N), White (W), Amber (A), Cobalt Blue (CB)
Min qty for non-std colour	5,000 bottles
Carton / Pallet Quantity	192 / 1536
Specification Date	21st November 2013



Specifications subject to change without notice. Please call (07) 3333 2281 to confirm.