



# Conta-Pack Pty Ltd

A.B.N 16 126 440 837

PO Box 3075, Clontarf Qld 4019

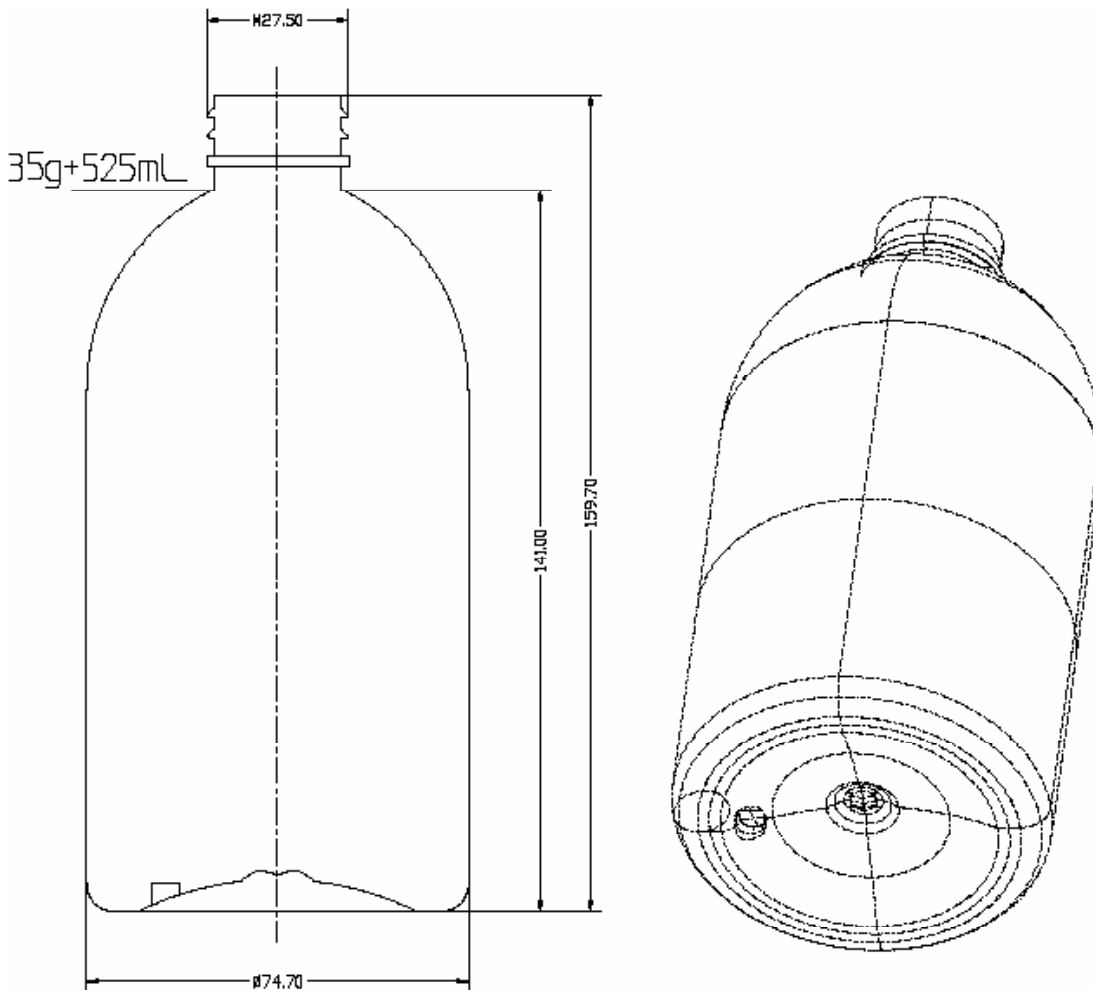
1/39 Grice Street, Clontarf Qld 4019

Phone: (07) 3333 2281

Fax: (07) 3889 3624

## Specification Sheet

<b>Product Name</b>	500ml Squat Boston
<b>Product Code</b>	E.500(?) -SB-PT <small>see std colours below for colour code</small>
<b>Material</b>	PET
<b>Bottle Weight</b>	32gm $\pm$ 2gm
<b>Bottle Height</b>	160mm $\pm$ 2mm
<b>Bottle Diameter</b>	$\varnothing$ 75mm $\pm$ 2mm
<b>Bottle Brim Full</b>	545ml $\pm$ 5ml
<b>Neck/Closure Specification</b>	28mm x 410 (28410)
<b>Standard Colours</b>	Clear (N), White (W), Amber (A), Cobalt Blue (CB)
<b>Min qty for non-std colour</b>	5,000 bottles
<b>Carton / Pallet Quantity</b>	192 / 1536
<b>Specification Date</b>	21st November 2013



Specifications subject to change without notice. Please call (07) 3333 2281 to confirm.